

Fig. 10.1**COMPONENTS**

Component	Connector(s)	Connector Description	Location
DOOR MIRROR – DRIVER	DD5	22-WAY / GREY	DRIVER DOOR
DOOR MIRROR – PASSENGER	PD4	22-WAY / GREY	PASSENGER DOOR
DOOR SWITCH PACK – DRIVER	DD1	20-WAY / BLACK	DRIVER DOOR CASING
FOLD BACK MODULE	–	–	PASSENGER JUNCTION FUSE BOX
PASSENGER JUNCTION FUSE BOX	–	–	PASSENGER COMPARTMENT, FRONT BULKHEAD / LH SIDE

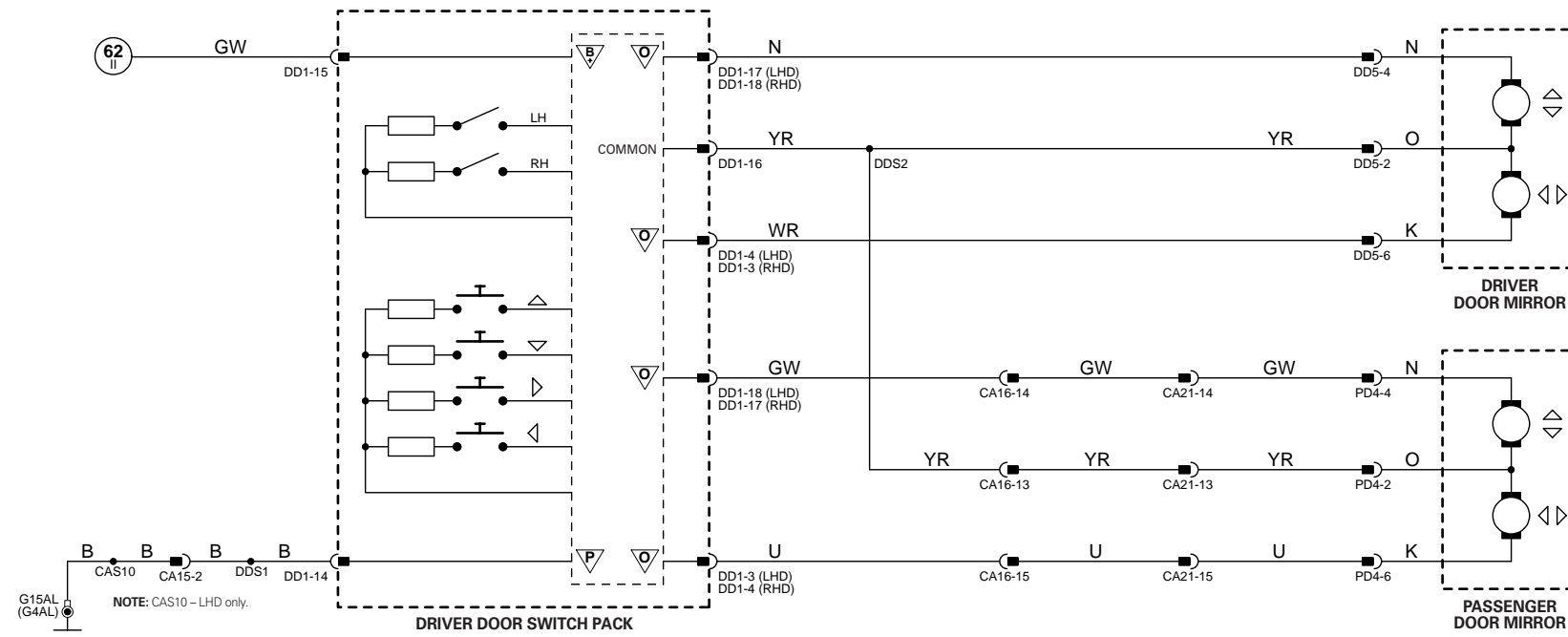
HARNESS IN-LINE CONNECTORS

Connector	Connector Description	Location
CA15	20-WAY / BLACK / CABIN HARNESS TO DRIVER DOOR HARNESS	DRIVER DOOR / DOOR CASING
CA16	20-WAY / BLACK / CABIN HARNESS TO DRIVER DOOR HARNESS	DRIVER DOOR / DOOR CASING
CA21	20-WAY / BLACK / CABIN HARNESS TO PASSENGER DOOR HARNESS	PASSENGER DOOR / DOOR CASING

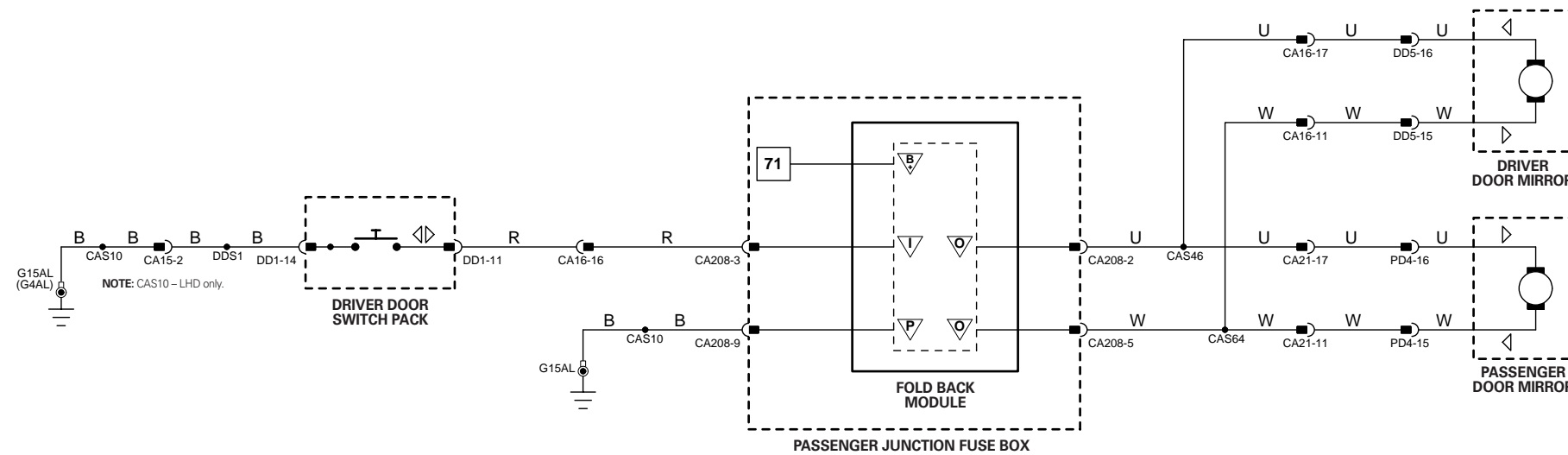
GROUNDS

Ground	Harness	Location
G4	CA	LOWER RH 'A' POST
G15	CA	LOWER LH 'A' POST

Refer to the front of this book for detailed information and illustrations regarding the location and identification of harnesses, relays, fuses, grounds, control modules and control module pins.



DOOR MIRROR MOVEMENT



NOTE: Refer to Figure 06.3 for Mirror Heaters.

DOOR MIRRORS: FOLD-BACK

CONTROL MODULE PIN-OUT INFORMATION

Driver Seat Module

Pin	Description and Characteristic
C	DM1-02 CAN -
I	DM1-05 LH DOOR MIRROR LEFT / RIGHT MOVEMENT SWITCH SIGNAL
I	DM1-06 LH DOOR MIRROR UP / DOWN MOVEMENT SWITCH SIGNAL
I	DM1-07 RH DOOR MIRROR UP / DOWN MOVEMENT SWITCH SIGNAL
I	DM1-08 RH DOOR MIRROR LEFT / RIGHT MOVEMENT SWITCH SIGNAL
I	DM1-09 DOOR MIRROR MOVEMENT SWITCHES COMMON
C	DM1-12 CAN +
O	DM1-14 DOOR MIRROR MOVEMENT / HEATERS DRIVE
I	DM1-20 MIRRORS FOLD BACK SWITCH SIGNAL: GROUND WHEN ACTIVATED
B+	DM2-01 BATTERY POWER SUPPLY: B+
SG	DM2-03 SIGNAL GROUND: GROUND
B+	DM2-04 IGNITION SWITCHED POWER SUPPLY II: B+
PG	DM2-05 POWER GROUND: GROUND
B+	DM2-06 BATTERY POWER SUPPLY: B+

NOTE: Refer to the Appendix at the rear of this book for Network Messages.

Fig. 10.2

COMPONENTS

Component	Connector(s)	Connector Description	Location
DOOR MIRROR – DRIVER	DD5	22-WAY / GREY	DRIVER DOOR
DOOR MIRROR – PASSENGER	PD4	22-WAY / GREY	PASSENGER DOOR
DOOR SWITCH PACK – DRIVER	DD1	20-WAY / BLACK	DRIVER DOOR CASING
SEAT MODULE – DRIVER	DM2	10-WAY / GREY	DRIVER SEAT SWITCH PACK
	DM3	16-WAY / BLACK	
	DM4	8-WAY / BLUE	
	DM5	8-WAY / GREEN	

HARNESS IN-LINE CONNECTORS

Connector	Connector Description	Location
CA15	20-WAY / BLACK / CABIN HARNESS TO DRIVER DOOR HARNESS	DRIVER DOOR / DOOR CASING
CA16	20-WAY / BLACK / CABIN HARNESS TO DRIVER DOOR HARNESS	DRIVER DOOR / DOOR CASING
CA20	20-WAY / BLACK / CABIN HARNESS TO PASSENGER DOOR HARNESS	PASSENGER DOOR / DOOR CASING
CA21	20-WAY / BLACK / CABIN HARNESS TO PASSENGER DOOR HARNESS	PASSENGER DOOR / DOOR CASING
CA65	18-WAY / BLACK / CABIN HARNESS TO DRIVER SEAT HARNESS	UNDER DRIVER SEAT
CA431	16-WAY / GREY / CABIN HARNESS TO DRIVER SEAT HARNESS	UNDER DRIVER SEAT
Grounds		
Ground	Harness	Location
G4	CA	LOWER RH 'A' POST
G15	CA	LOWER LH 'A' POST

FOR CONTROL MODULE PIN-OUT INFORMATION, UNFOLD PAGE TO LEFT.

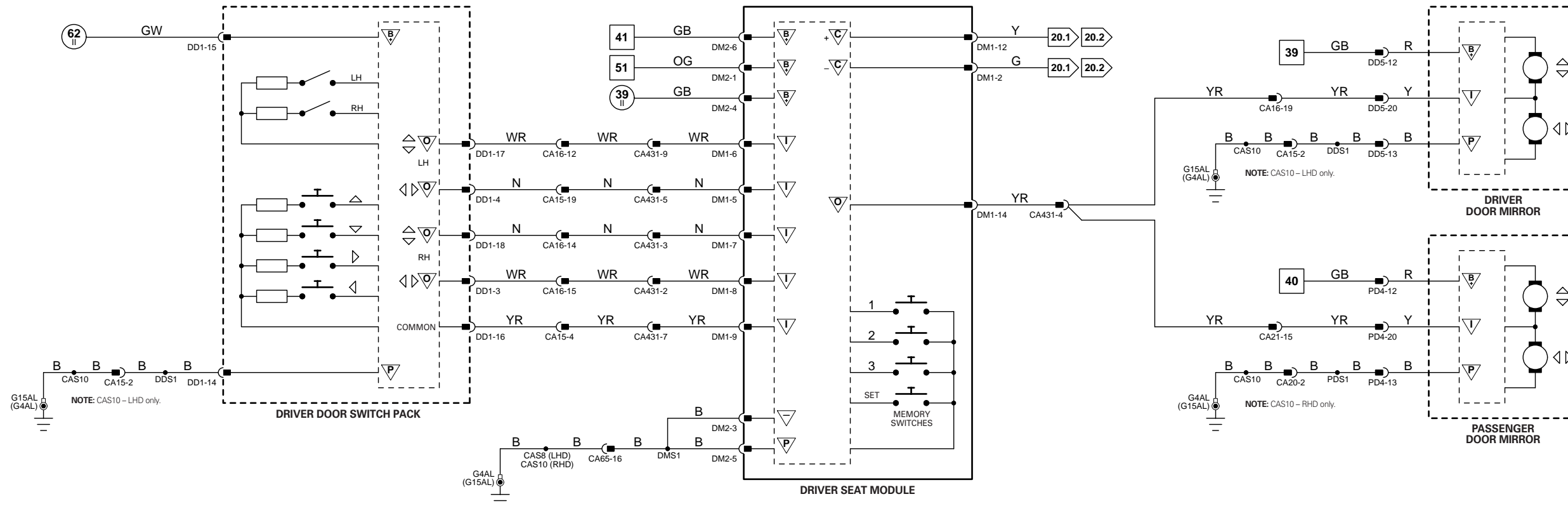
The following abbreviations are used to represent values for Control Module Pin-Out data

I	Input	PG	Power Ground	C	CAN Network	D	Serial and Encoded Data
O	Output	SS	Sensor / Signal Supply V	S	SCP Network	V	Voltage (DC)
B+	Battery Voltage	SG	Sensor / Signal Ground	D2	D2B Network	PWM	Pulse Width Modulated

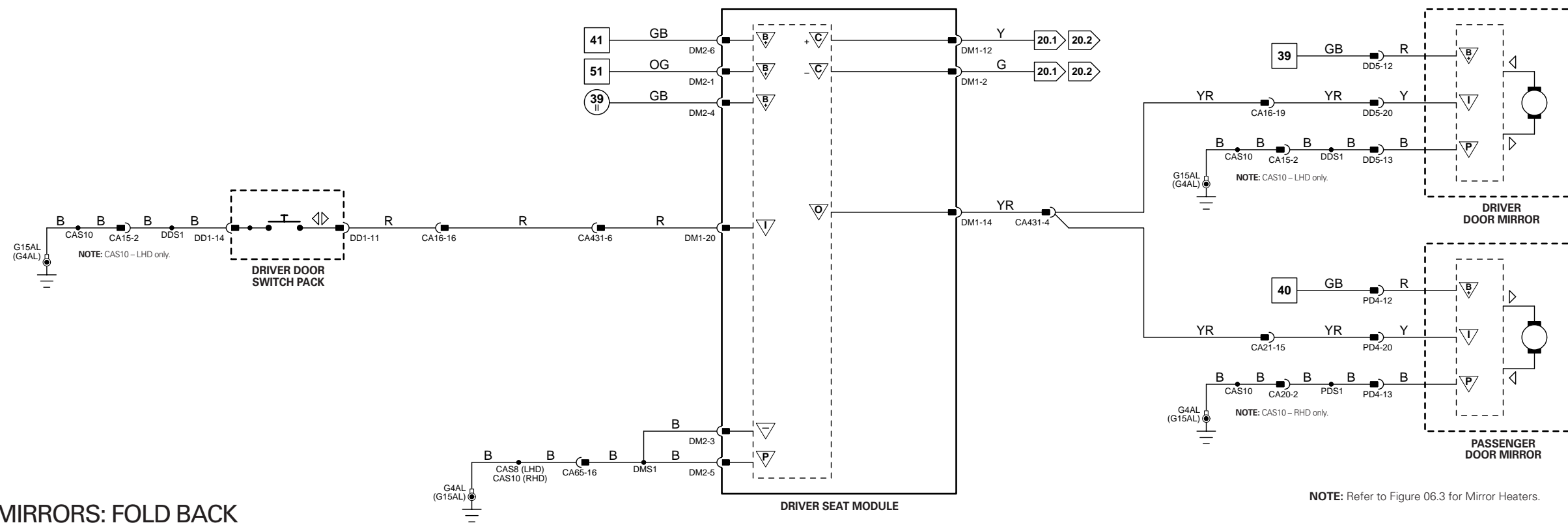
CAUTION: The information on this data page is furnished to aid the user in understanding circuit operation. THIS INFORMATION SHOULD BE USED FOR REFERENCE ONLY.

NOTE: The values listed are approximately those that can be expected at the control module connector pins with all circuit connections made and all components connected and fitted.

Refer to the front of this book for detailed information and illustrations regarding the location and identification of harnesses, relays, fuses, grounds, control modules and control module pins.



DOOR MIRROR MOVEMENT



DOOR MIRRORS: FOLD BACK

NOTE: Refer to Figure 06.3 for Mirror Heaters.