

**General Electronic Module**

	Pin	Description and Characteristic
PG	CA86-05	POWER GROUND
O	IP5-14	HORN RELAY DRIVE : TO ACTIVATE, GEM SWITCHES CIRCUIT TO GROUND
I	IP6-20	STEERING WHEEL HORN SWITCH: GROUND WHEN SELECTED
B+	JB172-01	BATTERY POWER SUPPLY (LOCKING): B+

**Fig. 19.1**

**COMPONENTS**

Component	Connector(s)	Connector Description	Location
ACCESSORY CONNECTOR – CABIN	IP24	3-WAY / BLACK	BEHIND GLOVE BOX
ACCESSORY CONNECTOR – REAR	CA146	3-WAY / BLACK	TRUNK, LH REAR
CIGAR LIGHTER	IP42	2-WAY / ORANGE	ASH TRAY
CUSTOMER POWER CONNECTOR	CA435	2-WAY / NATURAL	RH REAR INTERIOR TRIM
ELECTROCHROMIC REAR VIEW MIRROR	RC5	5-WAY / BLACK	REAR VIEW MIRROR
GENERAL ELECTRONIC MODULE	CA86	23-WAY / GREY	BEHIND INSTRUMENT PANEL / RH SIDE
	CA87	23-WAY / GREEN	
	IP5	23-WAY / BROWN	
	IP6	23-WAY / NATURAL	
	JB172	23-WAY / BLUE	
HORN RELAY – Diesel	–	–	POWER DISTRIBUTION FUSEBOX – R2
HORN RELAY – 2.0 L, 2.5 L, 3.0 L	–	–	POWER DISTRIBUTION FUSEBOX – R15
HORN SWITCH	SW6	2-WAY / BLACK	STEERING WHEEL
HORNS	JB87	2-WAY / BLACK	ADJACENT TO BATTERY
POWER DISTRIBUTION FUSEBOX	–	–	ENGINE COMPARTMENT
ROOF CONSOLE – PRINTED CIRCUIT BOARD	RC23	20-WAY / WHITE	ROOF CENTER FRONT
STEERING WHEEL	SW4	6-WAY / BLACK	STEERING COLUMN

**HARNESS IN-LINE CONNECTORS**

Connector	Connector Description / Location	Location
CA36	16-WAY / GREEN / CABIN HARNESS TO ROOF HARNESS	LH 'A' POST / WINDSHIELD PILLAR
IP34	10-WAY / NATURAL / INSTRUMENT PANEL HARNESS TO STEERING WHEEL HARNESS	STEERING WHEEL CASSETTE
JB129	22-WAY / GREY / JUNCTION BOX HARNESS TO INSTRUMENT PANEL HARNESS	BELOW INSTRUMENT PANEL / LH SIDE

**GROUNDS**

Ground	Harness	Location
G1	CA	TRUNK / UNDER LH TAIL LAMP UNIT
G2	CA	TRUNK / UNDER LH TAIL LAMP UNIT
G4	CA	LOWER RH 'A' POST
G5	IP	UPPER RH 'A' POST
G15	CA	LOWER LH 'A' POST
G36	IP	BEHIND INSTRUMENT PANEL / LH SIDE OF CROSS CAR BEAM
G37	IP	BEHIND INSTRUMENT PANEL / RH SIDE OF CROSS CAR BEAM

FOR CONTROL MODULE PIN-OUT INFORMATION, UNFOLD PAGE TO LEFT.

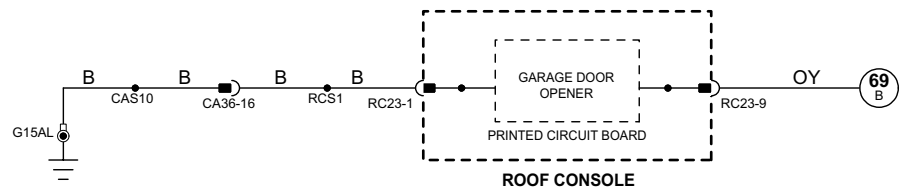
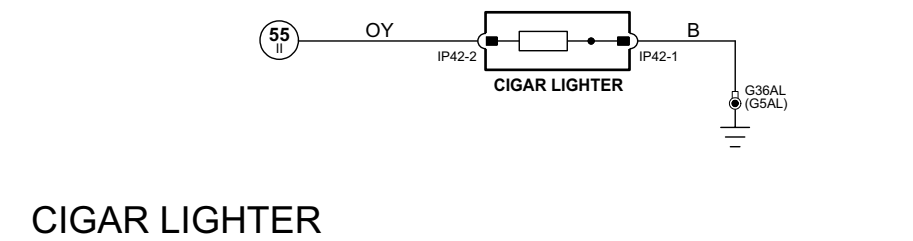
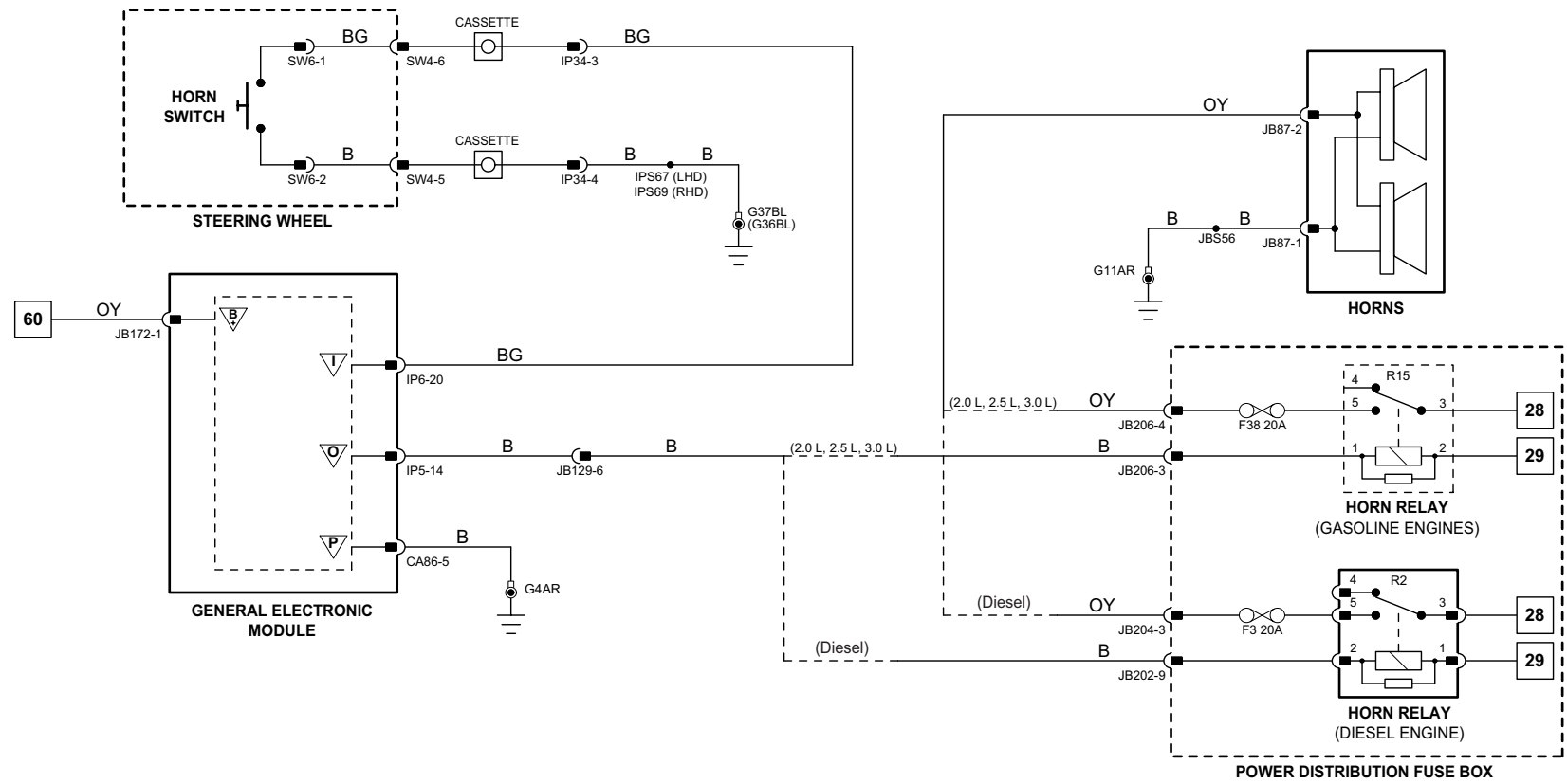
The following abbreviations are used to represent values for Control Module Pin-Out data

I	Input	PG	Power Ground	C	CAN Network	D	Serial and Encoded Data
O	Output	SS	Sensor / Signal Supply V	S	SCP Network	V	Voltage (DC)
B+	Battery Voltage	SG	Sensor / Signal Ground	D2	D2B Network	PWM	Pulse Width Modulated

**CAUTION:** The information on this data page is furnished to aid the user in understanding circuit operation. THIS INFORMATION SHOULD BE USED FOR REFERENCE ONLY.

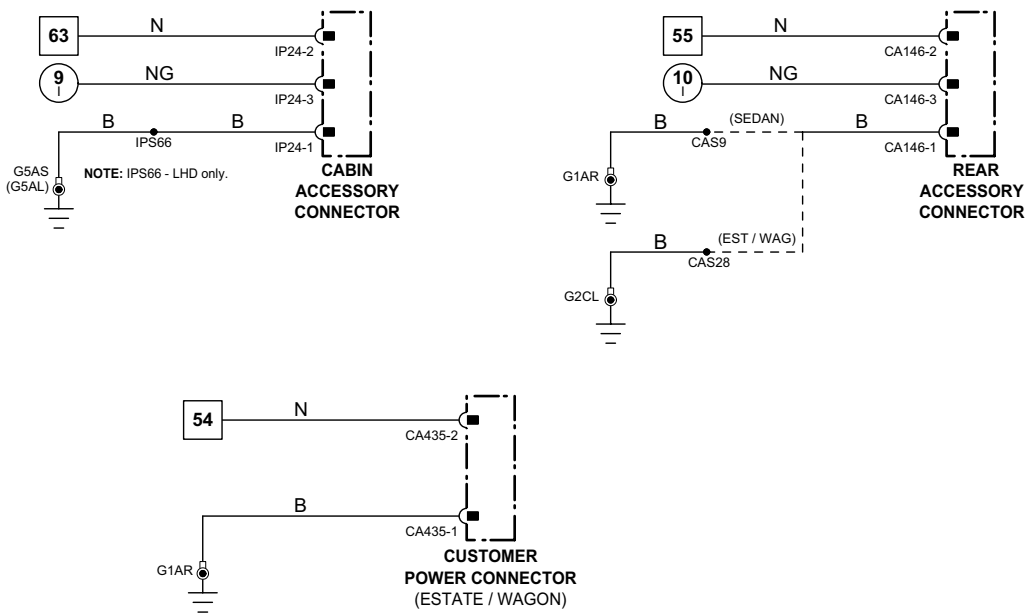
**NOTE:** The values listed are approximately those that can be expected at the control module connector pins with all circuit connections made and all components connected and fitted.

Refer to the front of this book for detailed information and illustrations regarding the location and identification of harnesses, relays, fuses, grounds, control modules and control module pins.



HORN

GARAGE DOOR OPENER



ACCESSORY CONNECTORS

ELECTROCHROMIC REAR VIEW MIRROR

