

6

5

4

3

2

1

D

D

C

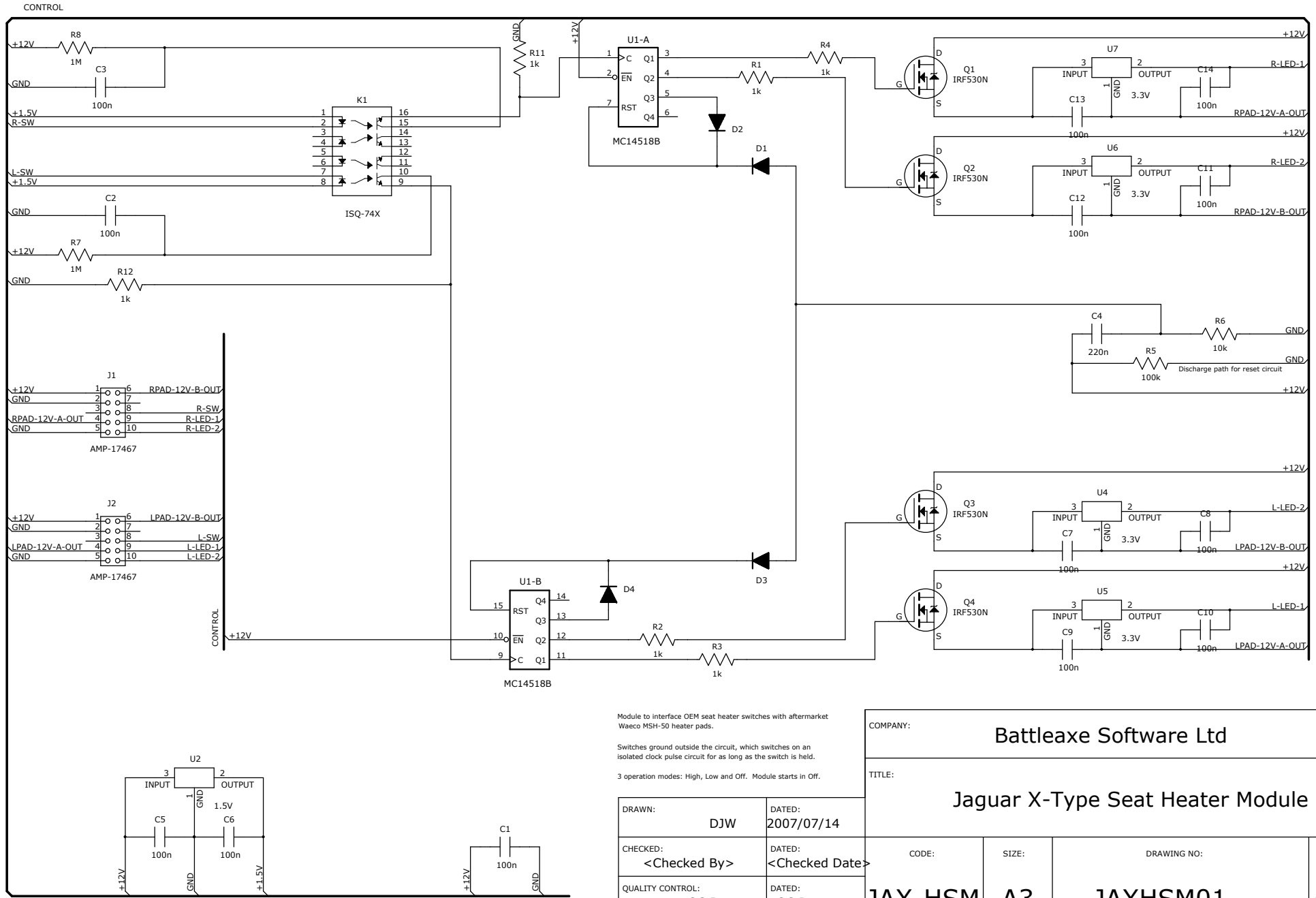
C

B

B

A

A



Module to interface OEM seat heater switches with aftermarket Waeco MSH-50 heater pads.

Switches ground outside the circuit, which switches on an isolated clock pulse circuit for as long as the switch is held.

3 operation modes: High, Low and Off. Module starts in Off.

| | |
|-----------------------------|--------------------------|
| DRAWN: DJW | DATED: 2007/07/14 |
| CHECKED: <Checked By> | DATED: <Checked Date> |
| QUALITY CONTROL: <QC By> | DATED: <QC Date> |
| RELEASED: <Released By> | DATED: <Release Date> |

| | | | |
|---|--------------------|--------------------------------|-------------------|
| COMPANY: Battleaxe Software Ltd | | | |
| TITLE: Jaguar X-Type Seat Heater Module | | | |
| CODE: JAX-HSM | SIZE: A3 | DRAWING NO: JAXHSM01 | REV: A0 |
| SCALE: 1:1 | | | SHEET: 1 OF 1 |