

6

5

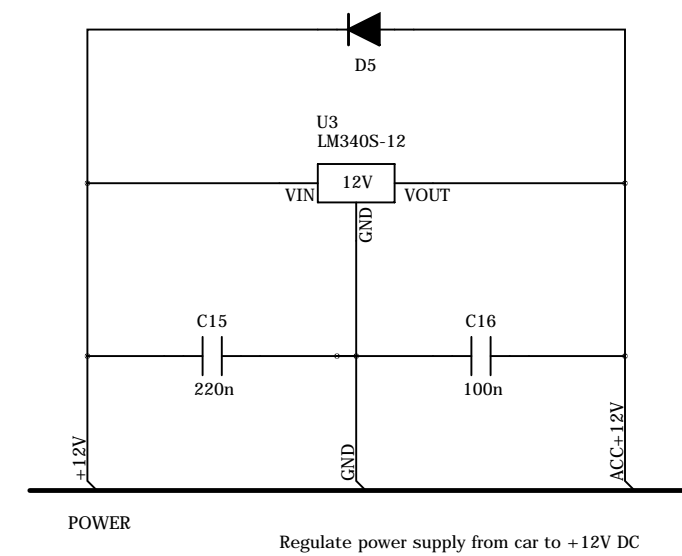
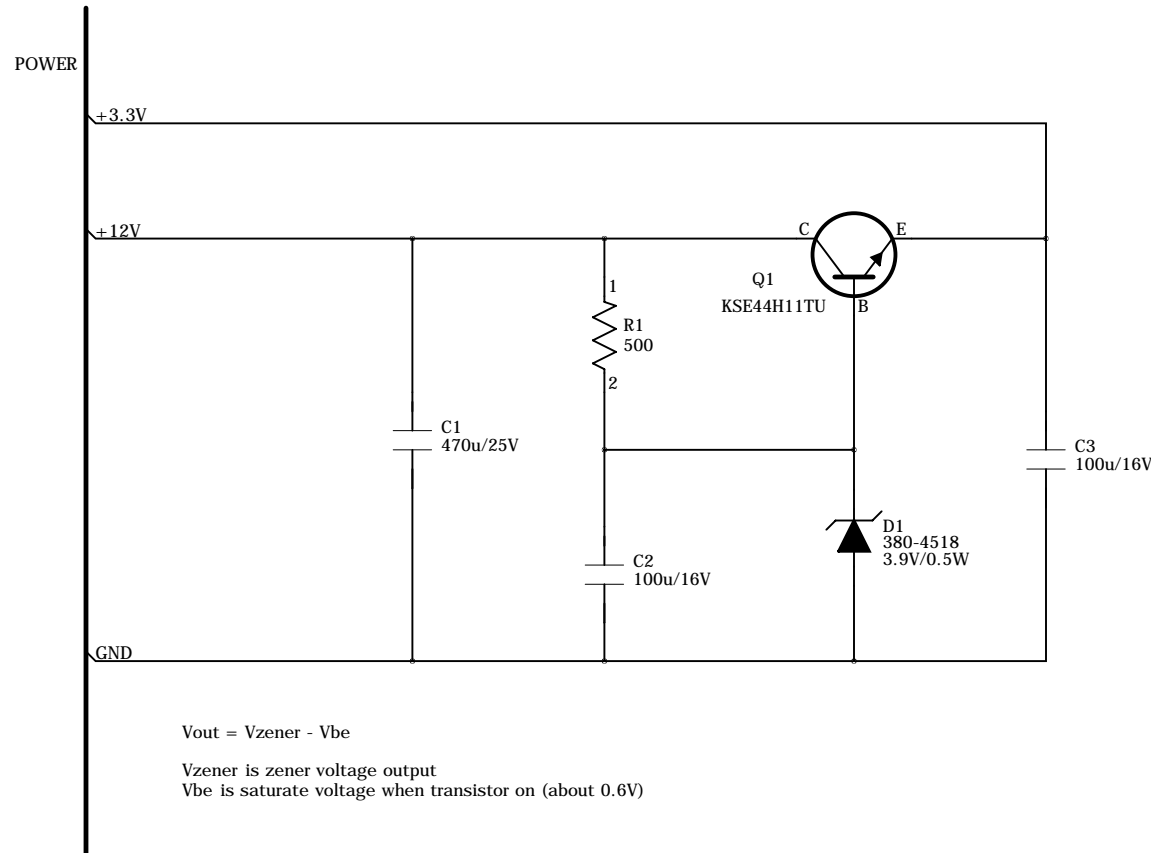
4

3

2

1

REVISION RECORD			
LTR	ECO NO:	APPROVED:	DATE:



Module to interface OEM seat heater switches with aftermarket Waeco MSH-50 heater pads.

Switches ground outside the circuit, which switches on an isolated clock pulse circuit for as long as the switch is held.

3 operation modes: High, Low and Off. Module starts in Off.

DRAWN: DJW	DATED: 2007/07/29
CHECKED: DJW	DATED: 2007/07/31
QUALITY CONTROL: <QC By>	DATED: <QC Date>
RELEASED: <Released By>	DATED: <Release Date>

COMPANY: Battleaxe Software Ltd			
TITLE: Jaguar X-Type Seat Heater Module			
CODE: JAX-HSM	SIZE: A3	DRAWING NO: JAXHSM03	REV: A1
SCALE: 1:1			SHEET: 1 of 3

6

5

4

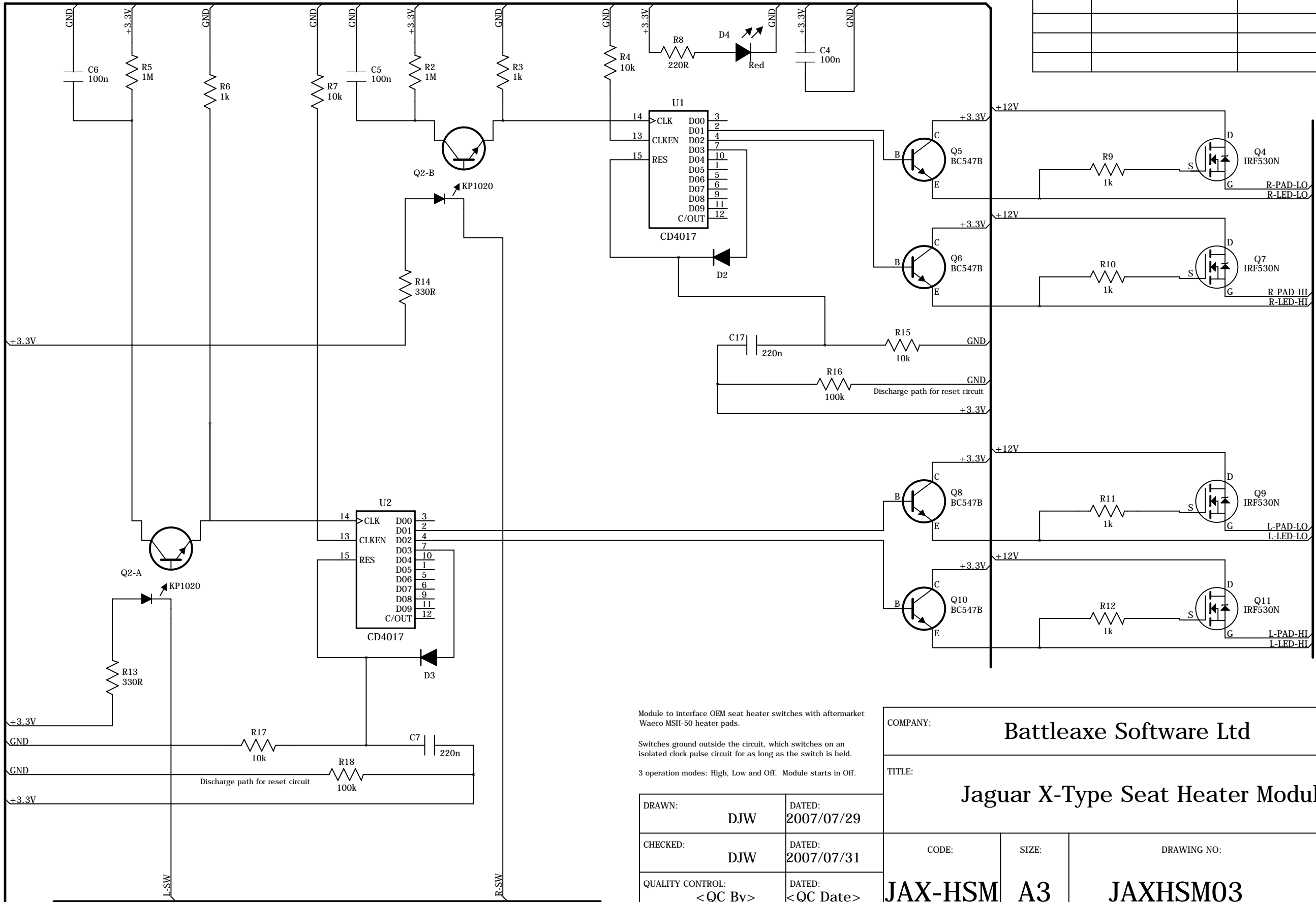
3

2

1

REVISION RECORD			
LTR	ECO NO:	APPROVED:	DATE:

POWER



Module to interface OEM seat heater switches with aftermarket Waeco MSH-50 heater pads.

Switches ground outside the circuit, which switches on an isolated clock pulse circuit for as long as the switch is held.

3 operation modes: High, Low and Off. Module starts in Off.

COMPANY: **Battleaxe Software Ltd**

TITLE: **Jaguar X-Type Seat Heater Module**

DRAWN:	DATED:
DJW	2007/07/29
CHECKED:	DATED:
DJW	2007/07/31
QUALITY CONTROL:	DATED:
<QC By>	<QC Date>
RELEASED:	DATED:
<Released By>	<Release Date>

CODE:	SIZE:	DRAWING NO:	REV:
JAX-HSM	A3	JAXHSM03	A1

SCALE: 1:1 SHEET: 2 OF 3

D

C

B

A

D

C

B

A

CONTROL

CONTROL

6

5

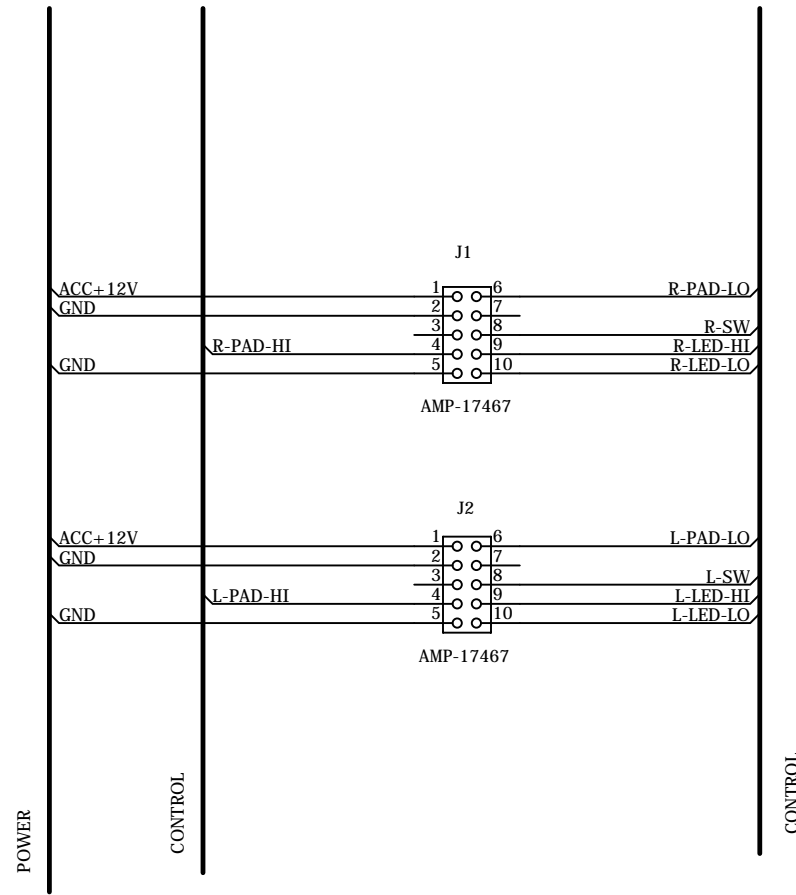
4

3

2

1

REVISION RECORD			
LTR	ECO NO:	APPROVED:	DATE:



Module to interface OEM seat heater switches with aftermarket Waeco MSH-50 heater pads.

Switches ground outside the circuit, which switches on an isolated clock pulse circuit for as long as the switch is held.

3 operation modes: High, Low and Off. Module starts in Off.

DRAWN: DJW	DATED: 2007/07/29
CHECKED: DJW	DATED: 2007/07/31
QUALITY CONTROL: <QC By>	DATED: <QC Date>
RELEASED: <Released By>	DATED: <Release Date>

COMPANY: Battleaxe Software Ltd			
TITLE: Jaguar X-Type Seat Heater Module			
CODE: JAX-HSM	SIZE: A3	DRAWING NO: JAXHSM03	REV: A1
SCALE: 1:1			SHEET: 3 OF 3

D

D

C

C

B

B

A

A