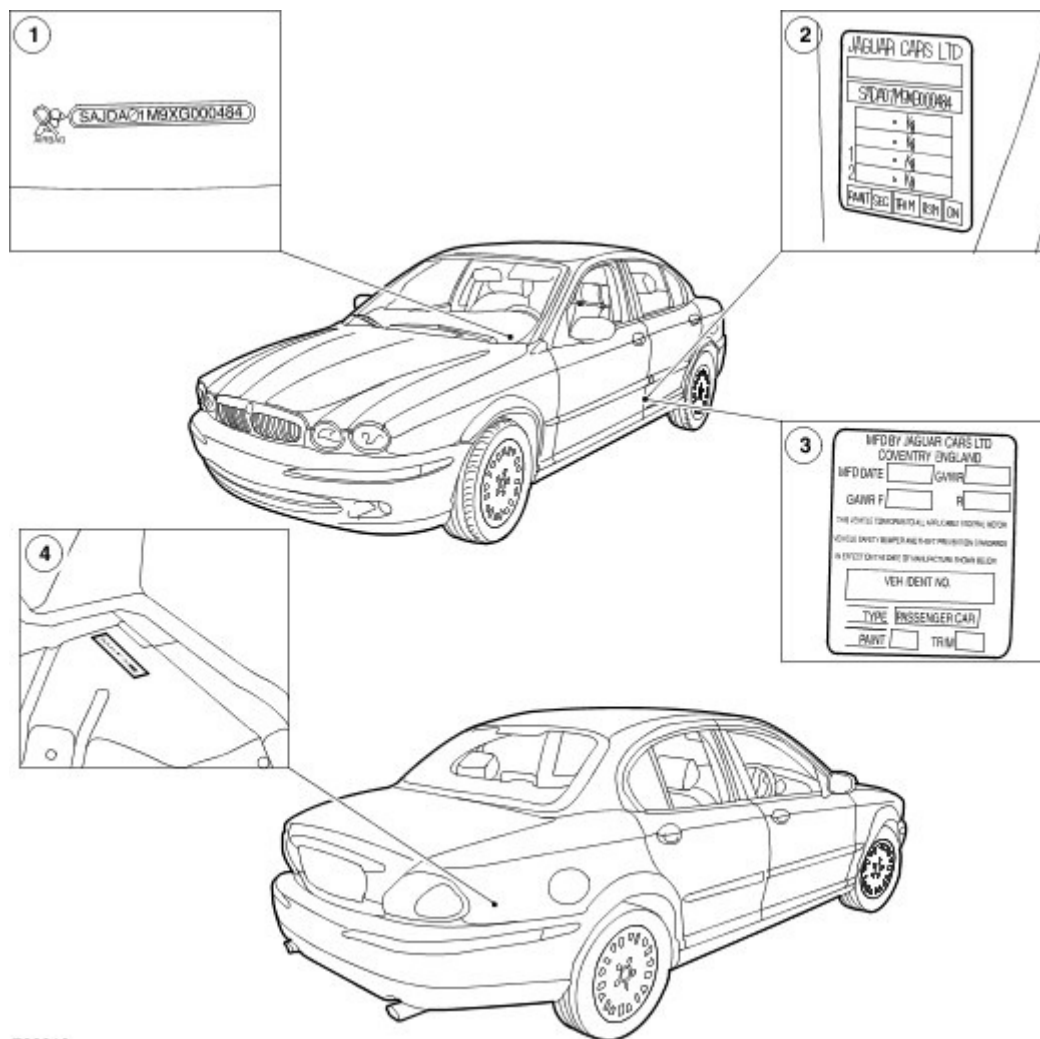


Identification Codes

Vehicle Identification Number (VIN)

The official VIN is located on the right hand side of the boot compartment floor and is stamped in a dot matrix format. An additional quick reference and anti forgery identification number is stamped onto a metal plate and fastened to the instrument panel. It is positioned close to the left-hand side of the vehicle and is visible from the outside.

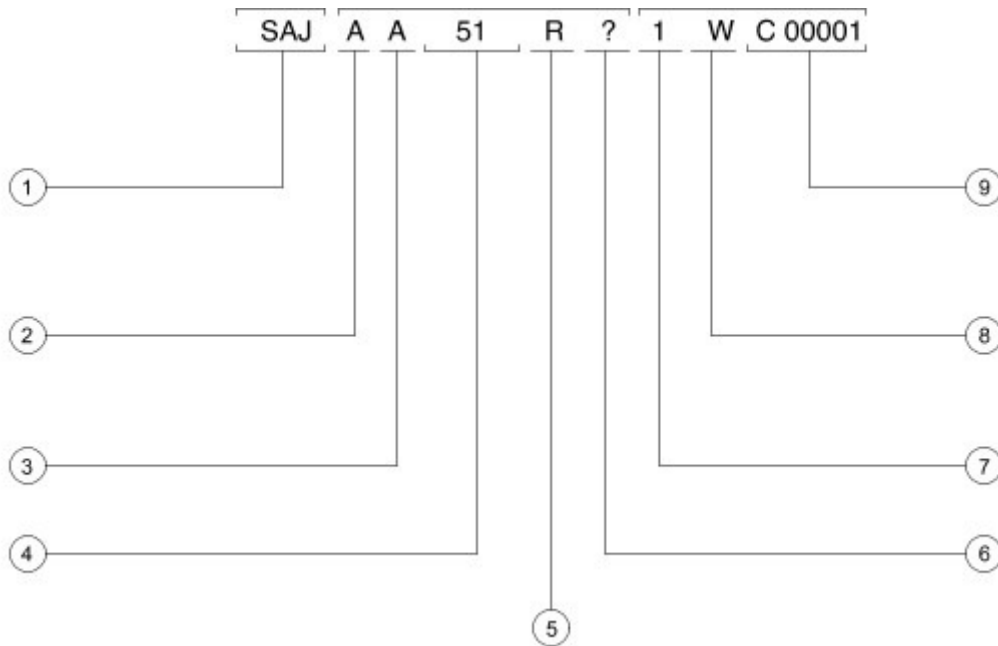
The vehicle identification number is also located on a vehicle certification label which is mounted on the bottom of the 'B' Post.



E30810

Item	Part Number	Description
1	—	Quick reference plate
2	—	Certification label (Europe and Rest of the World)
3	—	Certification label (America)
4	—	Official VIN plate

Vehicle Identification Number (Example)



VUJ0003165

Item	Part Number	Description
1	—	World manufacturer identifier
2	—	Market, restraint system
3	—	Transmission and steering code
4	—	Body code
5	—	Engine emission control system
6	—	Check digit
7	—	Model year
8	—	Assembly plant, model line
9	—	Production sequence number

World Manufacturer Identifier

VIN Positions 1

Codes	Manufacturer	Make	Type
SAJ	Jaguar Cars Limited, England	Jaguar or Daimler	Passenger Car

Market, Restraint system

VIN position 2

VIN code	Description
A	Rest of the world with twin air bags, side air bags and curtain airbags

Transmission, Steering Code

VIN Position 3

VIN Code	Description
A	Automatic LHS
B	Manual LHS

C	Automatic RHS
D	Manual RHS
E	FWD Automatic LHS
F	FWD Manual LHS
G	FWD Automatic RHS
H	FWD Manual RHS

Body Code

VIN Position 4

VIN Code	Description
51	4-Door, 5 seat saloon (High)
52	4-Door, 5 seat saloon (Entry)
53	4-Door, 5 seat saloon (Sports)

Engine Emission Control System

VIN Position 5

VIN Code	Description
L	Emission control system 3.0L
M	Emission control system 2.5L
S	Emission control system 2.0L

Check Digit

VIN Position 6

VIN Code	Description
0 - 9 or X	Calculated in accordance with american standard CFR part 565

Model Year

VIN Position 7

VIN Code	Description
1	2001 Model Year
2	2002 Model Year
3	2003 Model Year

Assembly Plant and Model Line

VIN Position 8

VIN Code	Description
W	Halewood 3.0L
X	Halewood 2.5L
Y	Halewood 2.0L

Production Sequence Number

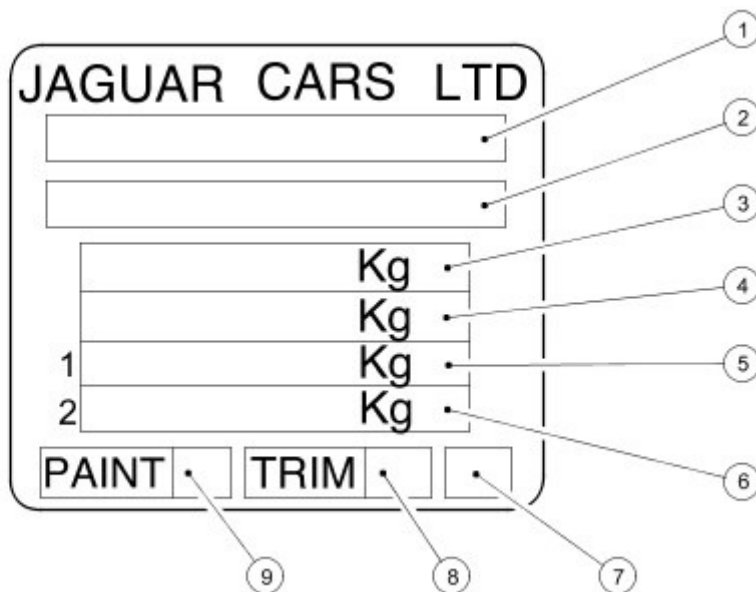
VIN Position 9

Sequence Number
C00001 - C99999
D00001 - D99999
E00001 - E99999
J00001 - J99999
K00001 - K99999
S00001 - S99999
T00001 - T99999
V00001 - V99999

Vehicle Certification Label

The vehicle certification label also contains the 17 character vehicle identification number. This number is used for warranty identification of the vehicle.

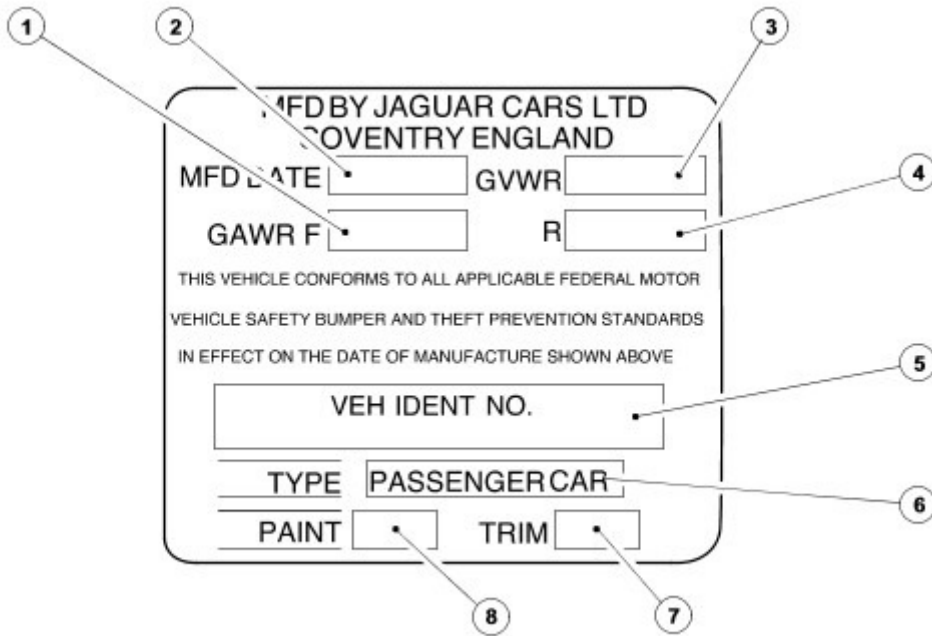
Vehicle Certification Number (Europe and Rest of the World)



VUJ0001850

Item	Part Number	Description
1	—	WVTA number printed here when applicable
2	—	Vehicle identification number
3	—	Gross vehicle weight
4	—	Gross train weight
5	—	Maximum permitted front axle loading
6	—	Maximum permitted rear axle loading
7	—	Date of manufacture
8	—	Interior trim code
9	—	Paint code

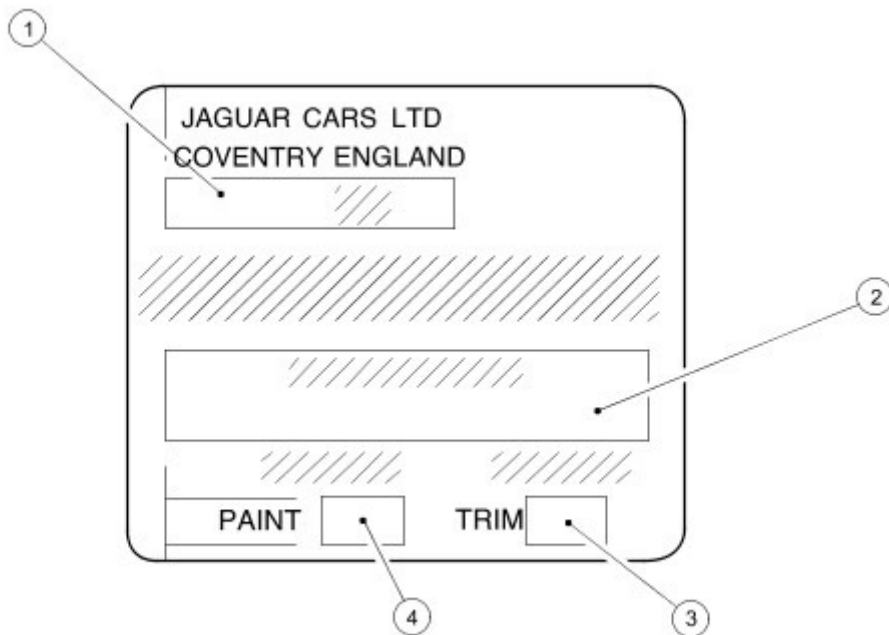
Vehicle Identification Label (North America)



VUJ0003210

Item	Part Number	Description
1	—	Maximum permitted front axle loading
2	—	Date of manufacture
3	—	Gross vehicle weight
4	—	Maximum permitted rear axle loading
5	—	Vehicle identification number
6	—	Type
7	—	Interior trim code
8	—	Paint code

Vehicle Identification Label (Saudi Arabia and Gulf States)

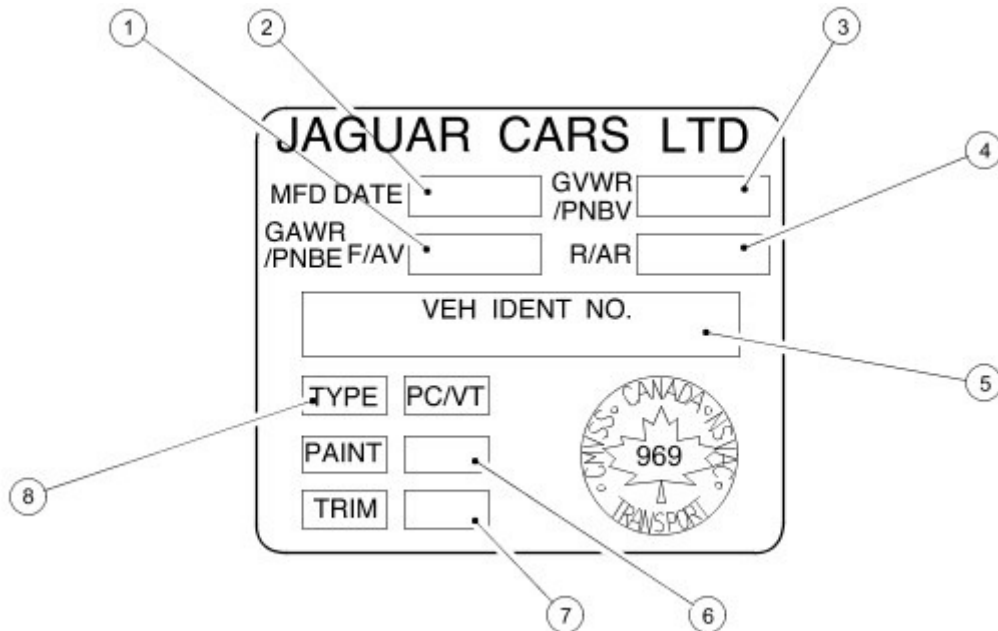


VUJ0001852

Item	Part Number	Description
1	—	Date of manufacturer

2	—	Vehicle identification number
3	—	Interior trim code
4	—	Paint code

Vehicle Identification Label (Canada)



VUJ0001853

Item	Part Number	Description
1	—	Maximum permitted front axle loading
2	—	Date of manufacturer
3	—	Gross vehicle weight
4	—	Maximum permitted rear axle loading
5	—	Vehicle identification number
6	—	Paint code
7	—	Interior trim code
8	—	Type

Automatic Transmission Number

The serial number of the transmission unit is displayed on a metal label or bar code (where equipped) attached to the transmission casing.

Engine Number (2.0L, 2.5L and 3.0L)

The engine number is contained on a bar code label on the front cover and is also stamped in the cylinder block casting.