

Instrument Panel (76.46.01)

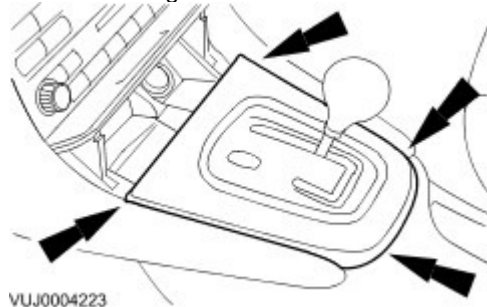
Removal

All vehicles

- 1 . Remove the console. For additional information, refer to
For additional information, refer to .
- 2 . Remove the climate control panel. For additional information, refer to <<412-04>>.
- 3 . Remove the navigation system screen (where fitted). For additional information, refer to <<419-07>>.
- 4 . Remove the instrument cluster. For additional information, refer to <<413-01>>.
- 5 . Remove the passenger airbag. For additional information, refer to <<501-20a>>.
- 6 . Remove the upper steering column. For additional information, refer to <<211-04>>.
- 7 . Remove the headlamp switch. For additional information, refer to <<417-01>>.

Vehicles with automatic transmission

- 8 . Remove the J-gate surround.

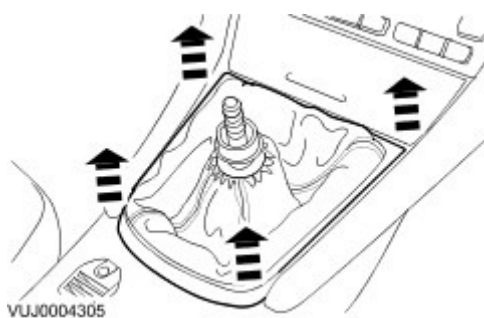


Vehicles with manual transmission

- 9 . Remove the gear selector knob.

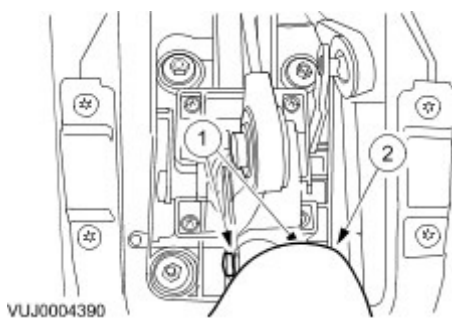


- 10 . Detach the gear selector surround.



11 . Remove the gear selector surround.

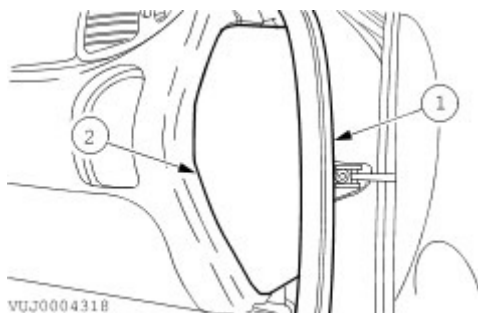
- 1) Detach the reverse gear interlock mechanism.
- 2) Remove the gear selector surround.



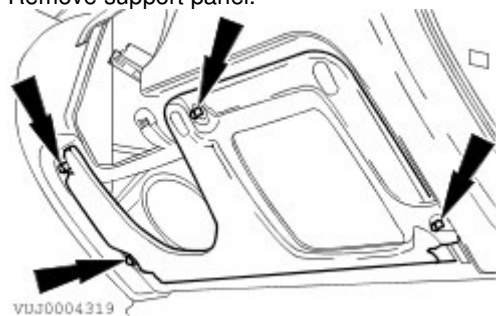
All vehicles

12 . Remove the right hand end panel.

- 1) Detach the front door opening weather strip.
- 2) Remove the right hand end panel.



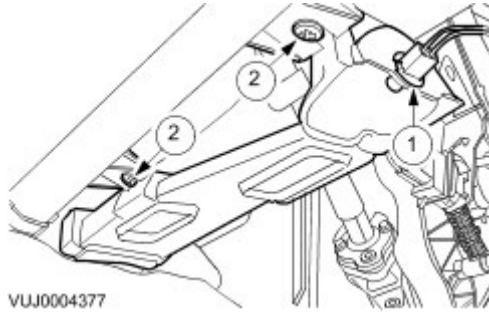
13 . Remove support panel.



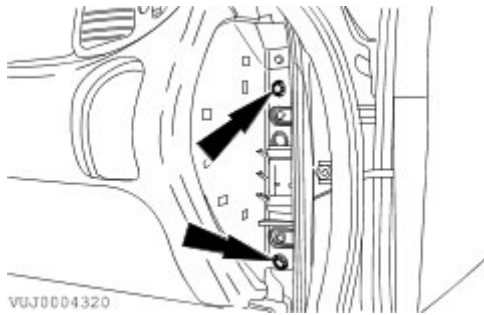
14 . Remove the lower vent.

- 1) Detach the bulb holder.

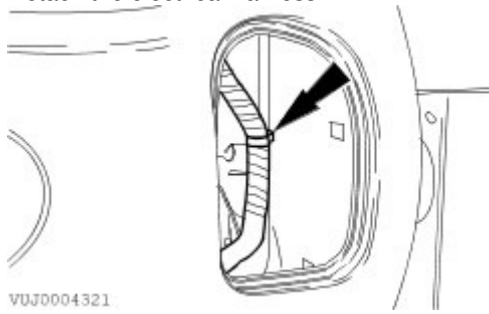
2) Remove the lower vent.



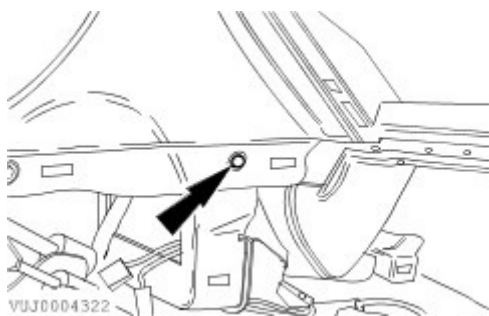
15 . Remove the instrument panel retaining screws.



16 . Detach the electrical harness.



17 . Remove the instrument panel retaining screw.

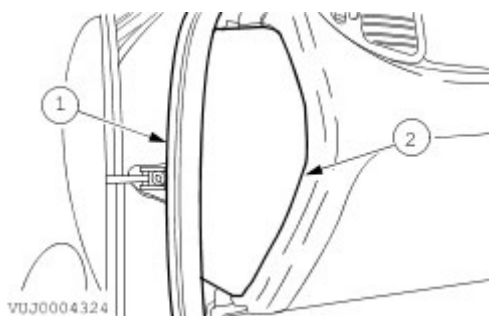


18 . Remove the instrument panel retaining screws.



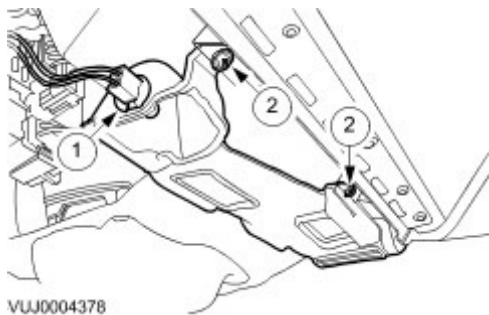
19 . Remove the left hand end panel.

- 1) Detach the front door opening weather strip.
- 2) Remove the left hand end panel.

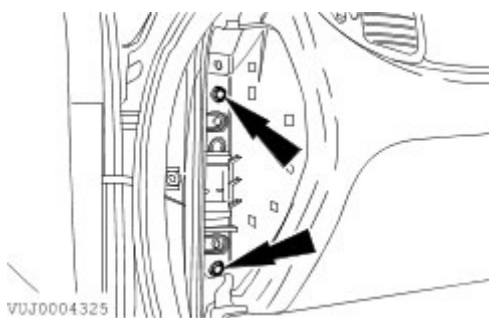


20 . Remove the lower vent.

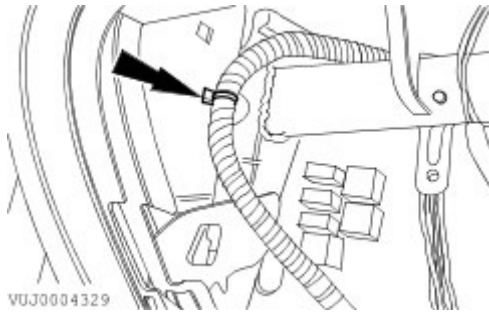
- 1) Detach the bulb holder.
- 2) Remove the lower vent.



21 . Remove the instrument panel retaining screws.



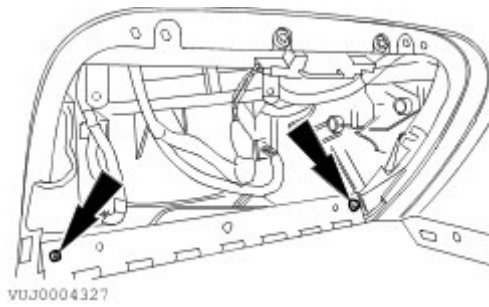
22 . Detach the electrical harness.



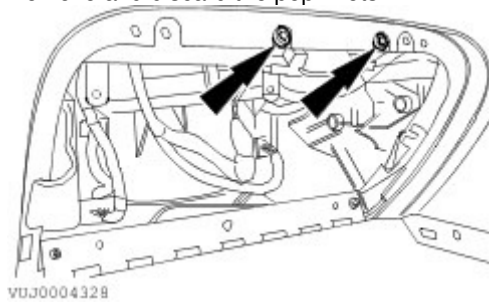
23 . Remove the instrument panel retaining screw.



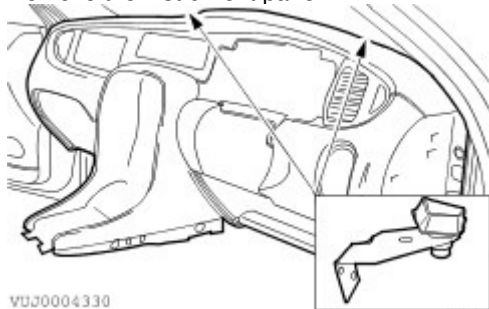
24 . Remove the instrument panel retaining screws.



25 . Remove and discard the pop rivets.



26 . Remove the instrument panel.



Installation

- 1 . To install, reverse the removal procedure.