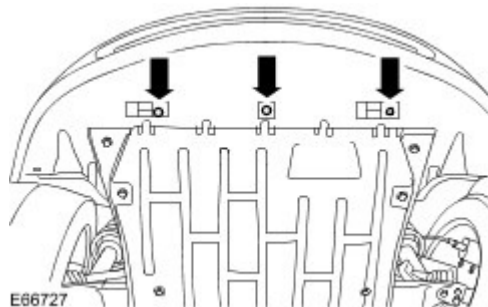


## Front Bumper Cover (76.22.78)

### Removal

#### All vehicles

- 1 . Remove the radiator splash shield retaining bolts.



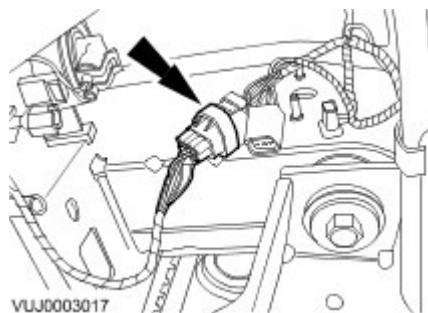
- 2 . **NOTE:**

Left-hand shown, right-hand similar.

Detach the wheel arch liner.



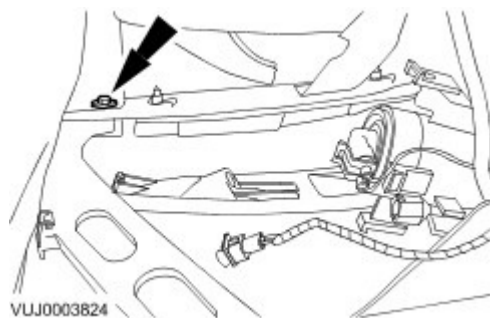
- 3 . Disconnect the bumper wiring harness electrical connector.



- 4 . **NOTE:**

Left-hand shown, right-hand similar.

Detach the bumper cover.

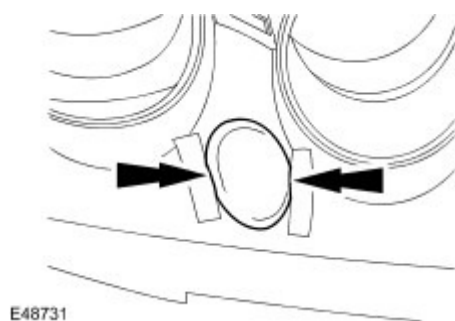


## Vehicles with headlamp washers

### 5 . NOTE:

Left-hand shown, right-hand similar.

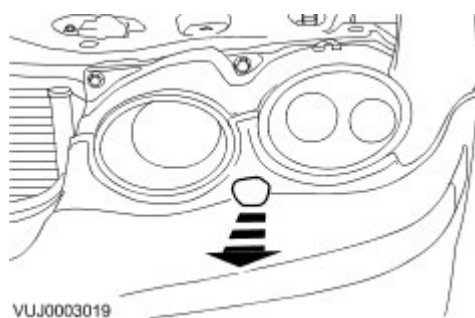
Apply suitable tape to the bumper cover to prevent damage to the bumper cover.



### 6 . NOTE:

Left-hand shown, right-hand similar.

Reposition the headlamp washers to the fully open position.



### 7 . NOTE:

Left-hand shown, right-hand similar.

Remove the headlamp washer cover.



## All vehicles

### 8 . NOTE:

Left-hand shown, right-hand similar.

Detach the side of the bumper cover from the retaining clips.



### 9 .



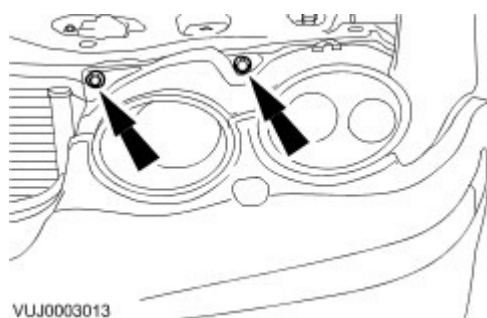
**CAUTION:** Make sure the bumper cover is supported before removing the securing bolts.

### NOTE:

Left-hand shown, right-hand similar.

Remove the bumper cover.

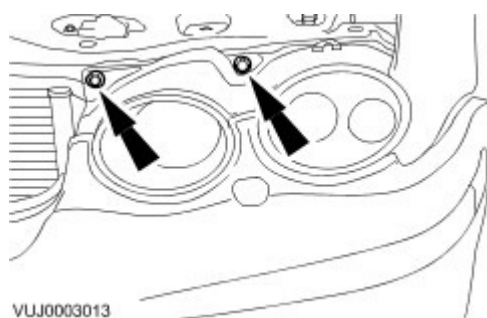
▶ Remove the bumper cover securing bolts.



## Installation

1 . To install, reverse the removal procedure.

▶ Tighten to 7 Nm.



2 . Tighten to 7 Nm.

