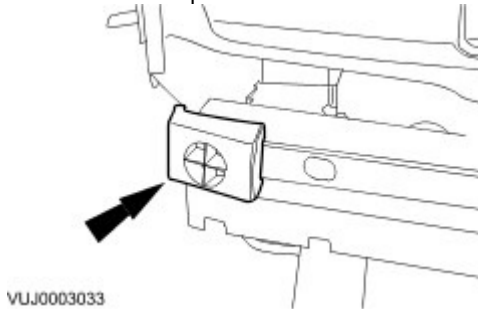


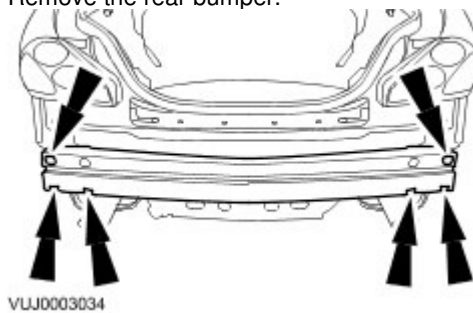
## Rear Bumper (76.22.27)

### Removal

- 1 . Remove the rear bumper cover. For additional information, refer to  
For additional information, refer to .
- 2 . Remove the bumper insulator.



- 3 . Remove the rear bumper.



### Installation

- 1 . To install, reverse the removal procedure.  
▶ Tighten to 17 Nm,

